

## ST-CLB Circuit Breaker Blocks

Compact surface mount solution providing secure screw termination where Push Button Reset-Only CLB Circuit Breakers are desired

- Clear insulating cover with square format label recesses, satisfies ABYC/USCG insulation requirements
- Quick connect clips allow circuit breakers to snap easily into place
- Tin-plated copper busses and screw terminals
- Breakouts allow wire access in two directions
- Accepts ring terminals
- Optional push button waterproof boots or dress nuts can be installed over cover
- Accepts square labels
- Optional jumper 5049, for use with 5050 and 5051
- Circuit breakers sold separately (p. 77)

Voltage Max. Operating	32V DC
Amperage Max. Operating	32A (per circuit)
Amperage Max. Operating	100A (per block - common source)
Amperage Max. Operating	40A (per jumped circuit group - independent source)
Temp. Operating Range	-10°C to 60°C
Breaker Type	Push Button Reset-Only Circuit Breaker with Quick Connect Terminals
Screw Terminal	#8-32 Screws with Captive Star Lock Washer
Ring Terminals	Screw Terminals #8 (M4), Negative Bus #10 (M5)
Mounting	#8 Screw (M4) or #8 Nut

Part #	Positions	Negative Bus	Source	[A] Mounting Centers in (mm)	[B] Mounting Centers in (mm)	[C] Height in (mm)
5050	6	--	Independent	5.63 (142.9)	1.40 (35.6)	6.69 (169.9)
5051	12	--	Independent	10.13 (257.2)	1.71 (43.4)	11.19 (284.2)
5052	6	#10-32 stud	Common	5.63 (142.9)	1.40 (35.6)	6.69 (169.9)
5054	12	#10-32 stud	Common	10.13 (257.2)	1.71 (43.4)	11.19 (284.2)
5049	ST CLB Block Jumper, 5 per pack					

VIDEO  
blueseaa.com/video

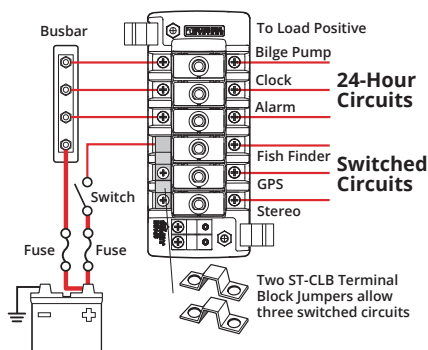


5050

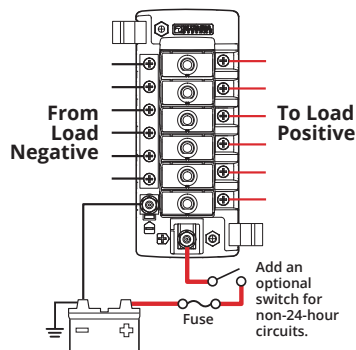


5052

### Three Switched Circuits, Three 24-Hour Circuits



### Six Switched or Six 24-Hour Circuits



### Related Products



ST-CLB Circuit Breaker Block Jumper 5049 (see table)



CLB Circuit Breaker Boots page 77



Push Button Reset-Only CLB Circuit Breakers page 77

