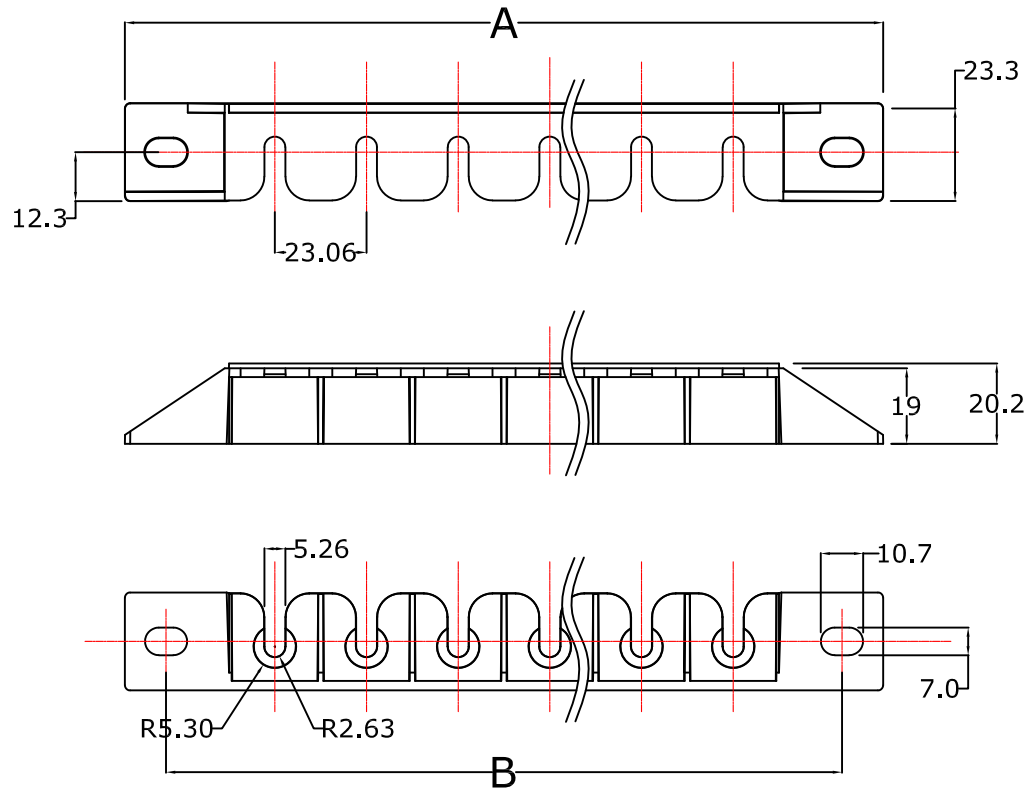
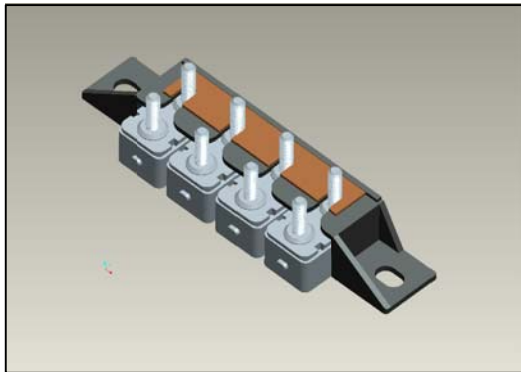


AEV	Item	Date	Description	Revised By

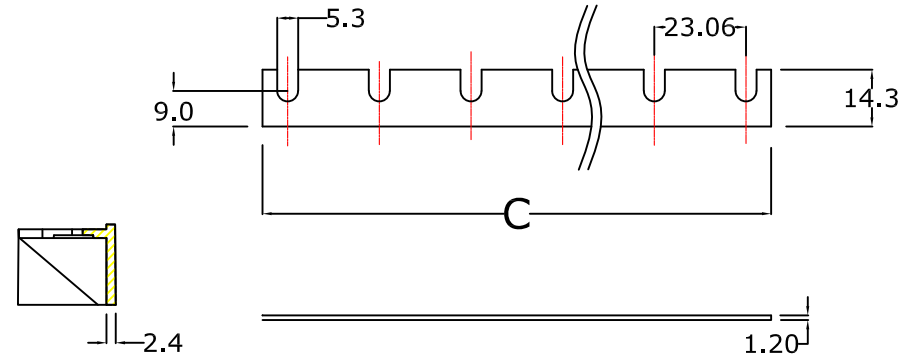
Stud mount CB plastic bracket



Material: Nylon+FG 94V0 Black





Copper busbar with slot



t=1.2mm, max. rate current is 180A

unit: mm (inch)

set P/N	no. of STA	E5 bracket	DIM A overall length	DIM B mounting hole	E5 busbar	DIM C overall length
5BB-04	4	5Bp-04	144.7 (5.70)	124.0 (4.88")	5Bm-04	81.9 (3.22")
5BB-06	6	5Bp-06	190.8 (7.52")	170.1 (6.70")	5Bm-06	128.0 (5.04")
5BB-08	8	5Bp-08	236.9 (9.33")	216.2 (8.51")	5Bm-08	174.2 (5.80")
5BB-10	10	5Bp-10	283.0 (11.14")	262.3 (10.33")	5Bm-10	220.3 (8.67")
5BB-12	12	5Bp-12	329.2 (12.96")	308.5 (12.15")	5Bm-12	266.5 (10.49")
5BB-13	13	5Bp-13	352.2 (13.87")	331.9 (13.07")	5Bm-13	289.5 (11.40")

0<6 ±0.2	50<120 ±0.5	Material	Parts no	 GLOSOTECH YOUR POWER. PROTECTED
6<18 ±0.3	120<250±0.6		Drawing by 宋铁强	
18<50 ±0.4	250<400 ±0.7	Date 03/03/18	Check by 万文	
Tolerance unless otherwise specified, unit in mm		Issue A/4	Approve by Jerry	Drawing no
				Model code E5系列