

POWER INLET 15 AMP/125 VAC NEMA 5-15P

Description

Inlet, straight blade, dust resistant

Electrical Specifications

15 amperes, 125 volts, NEMA Configuration 5-15P

Material Specifications

Housing Material: Nylon

Contact Material: Brass

Cover: Molded flexible vinyl

Terminals

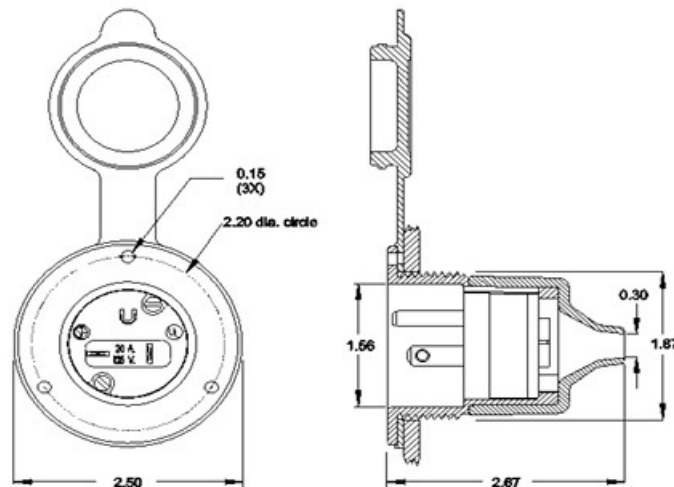
Brass, lug style design, up to 10 AWG wire.

Terminal Identification

Terminal screws are color coded. Ground wire entrance hot stamped green and marked "G"

Mechanical Specification

Overall Design: Either front mount by three #6 x 5/8 screws (provided) or rear mount by 1½" conduit locknut (provided).



8780 Boul. Guillaume-Couture
Levis QC G6V 9G9
www.metivierelectrique.com